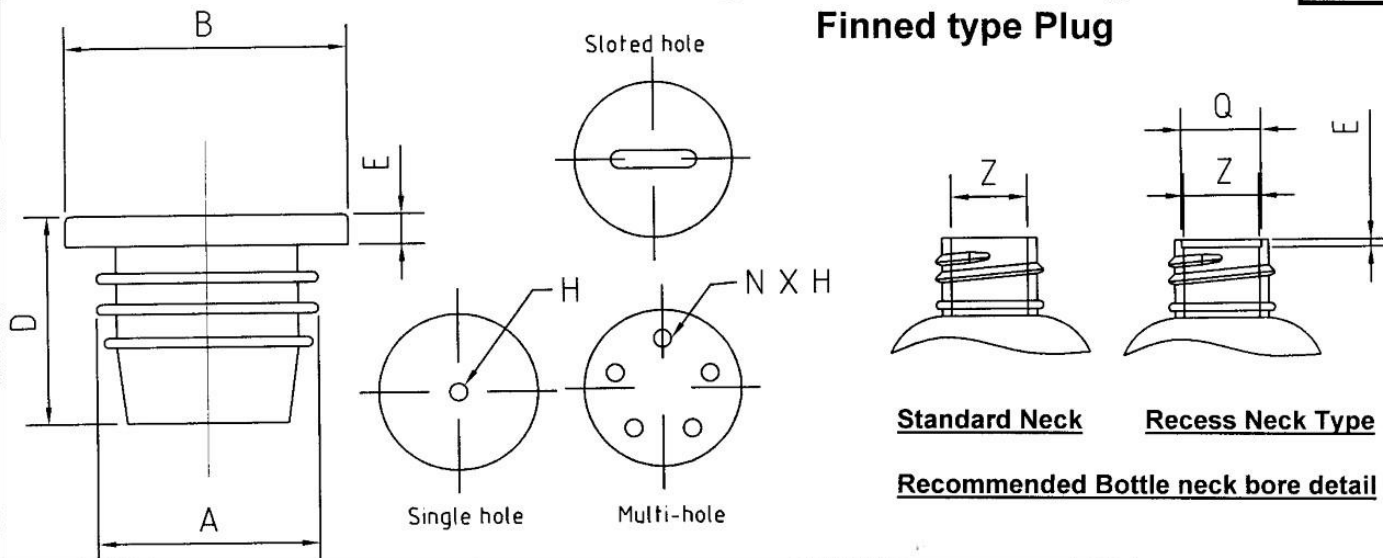


Standard Slot, Single and Multi Hole Plugs

Finned type Plug



PRODUCT REF CODE No.	A mm	A in	B mm	B in	D mm	D in	E mm	E in	Q mm	Q in	Z mm	Z in	Min 1mm	H= Hole Size
SLOTTED HOLE PLUGS (3mm Wide X 13mm Long)														
28SLOT/321F	19.60	0.771	24.70	0.972	11.70	0.46	2.00	0.078	N/A	N/A	18.60	0.732		Slot 3mm X 13mm
28SLOT/322F	21.20	0.834	24.70	0.972	10.25	0.403	2.00	0.078	N/A	N/A	20.20	0.795		Slot 3mm X 13mm
SINGLE HOLE PLUGS H = Hole Size														
28BF/310F/H	24.15	0.950	25.15	0.990	10.00	0.393	0.80	0.031	N/A	N/A	23.15	0.911		Upto 3mm
28AF/312F/H	19.60	0.771	24.70	0.972	11.40	0.448	1.60	0.063	N/A	N/A	18.60	0.732		Upto 5.50mm
28CF/313F/H	19.15	0.753	25.00	0.984	8.00	0.314	1.60	0.063	N/A	N/A	18.15	0.714		Upto 5.50mm
30AF/313F/H	19.15	0.753	28.00	1.102	7.40	0.291	1.15	0.045	N/A	N/A	18.15	0.714		Upto 5.50mm
28CF/322F/H	21.20	0.834	25.00	0.984	9.80	0.385	1.50	0.059	N/A	N/A	20.20	0.795		Upto 5.50mm
28CF/321F/H	19.60	0.771	25.00	0.984	11.30	0.444	1.50	0.059	N/A	N/A	18.60	0.732		Upto 5.50mm
30BF/314F/H	26.00	1.023	27.40	1.078	12.00	0.472	1.90	0.074	N/A	N/A	25.00	0.984		Upto 5.50mm
40AF/510F//H	30.50	1.200	38.00	1.496	11.60	0.456	1.75	0.068	N/A	N/A	29.50	1.161		Upto 11mm
MULTI HOLE PLUGS N X H = Number of Holes X the Hole Size													N= Number holes	
31MF/310F/3X4-5	24.15	0.950	27.75	1.092	10.00	0.393	0.75	0.029	N/A	N/A	23.15	0.911		H= Hole Sizes 3 X 4-5

- * Minimum order quantity of 2,000 (Part Box)
- * The dimensions should be used as a guide only
- * Moulded in Natural low density polyethylene
- * Coloured plug can be manufactured to customer's specification
- * We are constantly increasing our standard range of Plugs
- * We reserve the right to alter specification without prior notice



Inpress Plastics
 1 Harwood Industrial Estate
 Harwood Road,
 Littlehampton,
 West Sussex,
 BN17 7AU